



追求卓越 品质先行
Striving for Excellency, Quality Orientation



多功能系列跨运机
Multi-functional Straddle Carrier

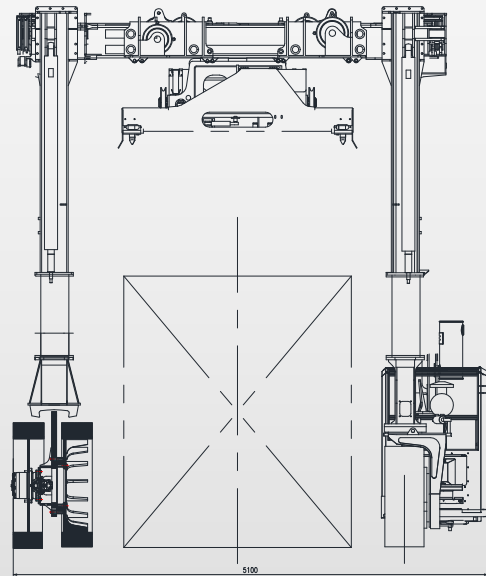
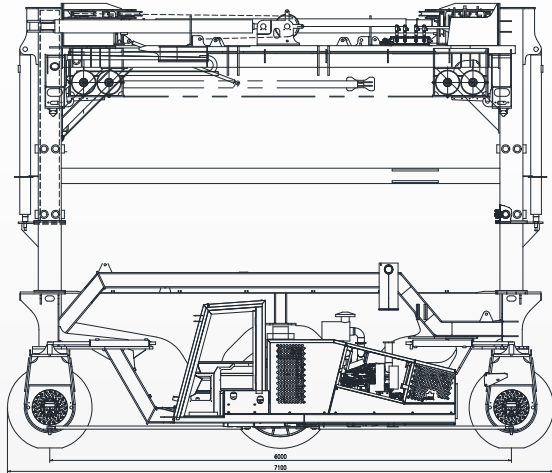
汇人 • 聚力 • 拓未来
Aggregate Talents Gather Power Expore Future

■ 公司介绍 Company Profile

Shanghai Gather Power Industry Co., Ltd was established in 2003 in Fengxian District, Shanghai, China, has two Joint-stock manufacturing factory. GP currently have more than 800 staffs, among whom 40% are university staff, including 60 engineers and technical researchers. Most of the 60 technicians have many years experience in forklift manufacturing industry, with rich experience and comprehensive technology, they served as a Chief Engineer or Assistant Chief Engineer in well-known forklift manufacturing enterprises. The company has invested 10 million USD dollars in construction of the factory. The factory owns large scale forklift truck laboratory, an international advanced component processing center, forklift truck assembly lines, mast production lines, automatic spraying lines and metal processing workshops, etc. Its leading product, GP brand forklift, can be widely applied in the material handing of industrial, mining, carrying, storage and logistics trade. With great effort to promote in the international market, GP has established long-term business relationships with a large scale of professional customers. The GP brand enjoys popularity in Mideast market and Europe. The company has an annual production output capacity is 5,000 forklifts and 6,800 warehousing equipments, including 36-45 tons mast mobile container crane, 1-15 tons internal combustion forklift trucks , 1-3.5 tons electric forklift trucks , 1-2.5 tons electric reach trucks, and our warehousing equipments including electric stackers, electric pallet trucks, hand-hydraulic pallet trucks, semi-electric stackers, tractors, etc. The full range encompasses close to 100 different models. The products have obtained "special equipment manufacturing license" issued by the State General Administration of Quality Supervision, "special equipment type test certificate" awarded by the National Construction Machinery Quality Supervision and Inspection Center and "CE certificate" which permitted access to the Europe market. Our company has passed ISO9001:2000 quality management system, ISO14001:2000 environment management system, OHSAS18001:1999 occupational health and safety management system certificate. Company products with excellent quality and perfect after-sales services, exporting to over 100 countries and regions in Europe, America, Mideast, Asia, Africa, etc. Get the praise and recognition of customers at home and abroad. Our aim is 'my efforts, your satisfaction'.

■ 产品参数 (三轮版)

Product Parameter (Three Wheel)



基本参数 Basic Parameters	GPCC351	GPCC352
起重量Lifting weight	35T	35T
外形尺寸(长*宽*高) Dimension(Length*Width*Height)	7100*5000*5600(mm)	7100*5000*6000 (mm)
有效内宽Inner width	3100mm	3100mm
轮距Wheel base	6000mm	6000mm
二级举升高度Duplex lifting height	无 N/A	1650mm
最小离地间隙Min. Ground clearance	300mm	300mm
整机重量Deadweight	16T (不含吊具 not including spreader)	17T (不含吊具not including spreader)
发动机 (非公国三标准) Engine(China StageIII)	康明斯/潍柴 Cummins/Weichai	康明斯/潍柴 Cummins/Weichai
行走泵 (闭式行走) Travel Pump(ClosedTravel)	海德克/林德/丹佛斯 Hytek/Linde/Danfoss	海德克/林德/丹佛斯 Hytek/Linde/Danfoss
行走速度 (空载Travel speed(Unladen)	8km-10km/h	8km-10km/h
行走速度 (重载) Travel Speed(Laden)	6km-8km/h	6km-8km/h
转弯半径 Turning Radius	7000mm	7000mm
爬坡能力 (空/满) Gradeability(Unladen/Laden)	15%/6%	15%/6%
操控形式 Manipulation	方向盘 (可选装遥控) Steering wheel(can be remote control)	方向盘 (可选装遥控) Steering wheel(can be remote control)
轮胎 Tires	1100实心轮胎+1300实心轮胎各两条 1100(02PCs)+1300 Solid Tire (02PCs)	1100实心轮胎+1300实心轮胎各两条 1100(02PCs)+1300 Solid Tire (02PCs)
起吊工具Lifting Tools	链条+锁头/自动吊具 Chain+Lock/Auto spreader	链条+锁头/自动吊具 Chain+Lock/Auto Spreader

■ 施工案列 Construction Cases



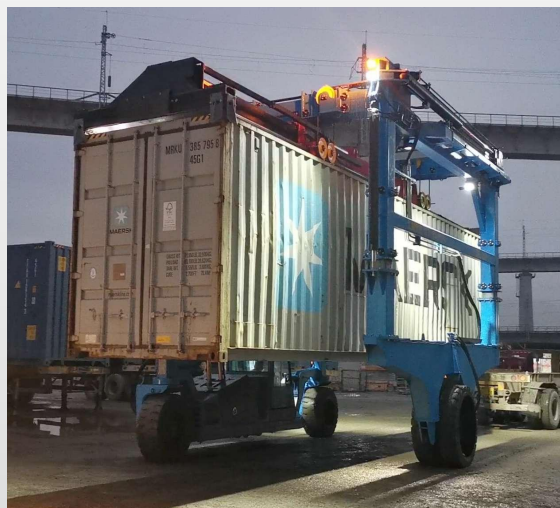
内蒙



上海



福州



■ 产品参数 (非标120T)

Product Parameter (Customization 120T)



■ 产品参数 (非标45T)

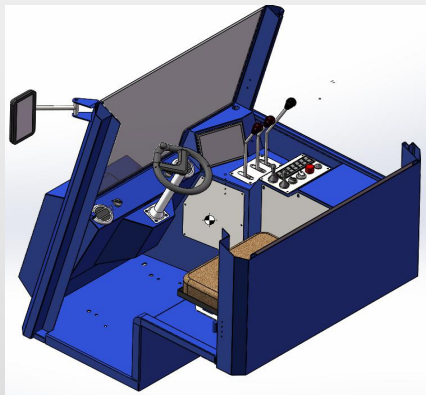
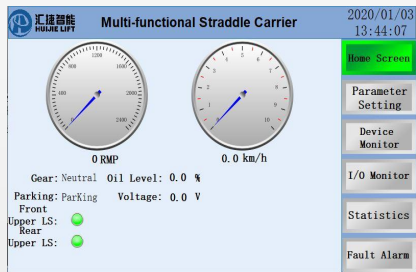
Product Parameter (Customization 50T)



大件搬运(振华重工ZPMC)OversizedLoad

基本参数 Basic Parameter	GPCC1201	GPCC450
起重量Lifting weight	120T	45T
外形尺寸(长*宽*高) Dimension(Length*Width*Height)	12000*8210*6900	10000*5800*7000
有效内宽Inner width	6500mm	3400mm
轴距Wheel base	9000mm	6500mm
二级举升高度Duplex lifting height	无	无
最小离地间隙Min. Ground clearance	300mm	600mm
轴轮胎数量 Tire Qty	4条Pcs	8条Pcs
整机重量Deadweight	49T	29T
发动机 (非公路国三标准标准) Engine(China StageIII)	潍柴WP10 (247kw) Weichai	潍柴170kw
行走泵 (闭式行走) Travel Pump(Closed travel)	林德/丹佛斯Linde/Danfoss	林德/丹佛斯Linde/Danfoss
行走速度Travel speed	5km-3km/h	12km-9km/h
转弯半径Turning Radius	15000mm	8500mm
爬坡能力 (空/满) Gradeability(Unladen/Laden)	15%/5%	15%/5%
轮胎 Tires	实心轮胎 Solid Tires(1800)	心轮胎 Solid Tires(1200)
起吊工具Lifting Tools	大件吊具 oversized Load spreader	大件吊具 oversized Load spreader

■ 主要技术及特点 Main Technology and Features



整机结构 Structure

- 采用有限元和动态模拟仿真技术，确保钢结构件寿命在20年以上。Finite element and dynamic simulation technology is used to ensure steel structure useful life over 20 years.
- 整车面漆按海港标准执行，整体喷砂处理后，先底漆、中漆、面漆。
Painting is in accordance with the port standards. After sandblasting treatment, then primer, middle paint and top coating start in sequence.
- 轮胎选用超大超宽实心轮胎，安全耐用，维护成本低。
Solid tires are more durable with lower maintenance cost.
- 整机重量轻，轮压低，可适应各种复杂路况。
Machine is light with low wheel load pressure, and can work in different working conditions.

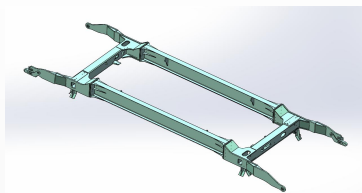
电控系统 Electric control system

- CAN总线系统，各种信号以数据方式传播，传送距离远，数据准确，稳定可靠；
CAN bus system, signals are transmitted by data with long distance transmission, accurate data and high reliability.
- 高性能电气元器件：SYMC控制器、倍加福传感器、安费诺接插件。
High-performance electrical components: SYMC controller, P+F sensor, Amphenol connector.

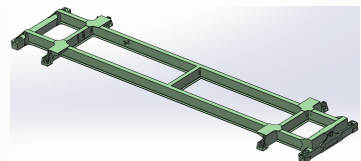
驾驶室液控操作系统 Hydraulic control operation system in Cab

- 选用成熟的液压推杆技术，操作简单、故障率低、维护方便。
Use mature hydraulic hand lever, reducing breakdown, easy for both operation and maintenance.
- 静液压驱动行走技术，无级变速、动作平稳、高效、节能。
Hydrostatic driven travel technology, stepless speed change, smooth movement, high efficiency and energy saving.
- 吊箱侧移对箱机构。Side Shift stacking mechanism.
- 整车平衡防倾斜系统。Anti-rollover protection system.

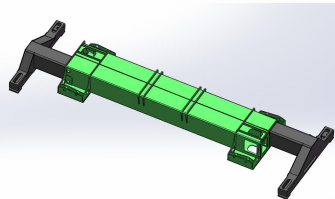
可选装各种吊具、满足不同作业需求 Customised Spreaders to Satisfy Various Working Conditions



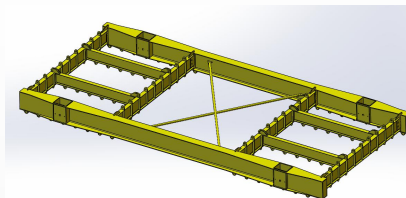
20尺自动吊具
20 Feet Spreader



40尺自动吊具
40 Feet Spreader



20-40自动吊具
20-40 Feet Spreader



大件吊具
Oversized Load Spreader



立箱工装
Loading fixture

标志性施工案例 Typical Construction Cases



比亚迪BYD



时代星云



中国建材



北京海博思创



振华重工ZPMC



国电平高集团



波通纳游艇码头

综合特点：Overall Features

①高可靠性：相较于老式起吊设备更安全、效率更高、体验更好、每小时可吊箱15个左右，可倾斜倒货装货。

High reliability: Compared with old-fashioned lifting equipment, it is safer, more efficient, and has better operation. It can handle about 15 containers per hour, which can be tilted and dumped.

②使用范围广：可进仓库，可吊装各种大件，如风电塔筒、叶片，罐体、结构件、预制件等。

Wide application: It can enter the warehouse and handle various oversized loads, such as wind power towers, blades, tanks, structural parts, prefabricated parts, etc.

SHANGHAI GATHER POWER INDUSTRY CO.,LTD
ADD:NO.858, FEGNGAO ROAD, FENGXIAN DISTRIC, SHANGHAI, 201206, P.R.CHINA
TEL: 0086-21-50460259, FAX:0086-21-50460836
Email: jerin@gpforklift.com
whatsapp/wechat/mob:0086 15801961168
www.gpforklift.cn